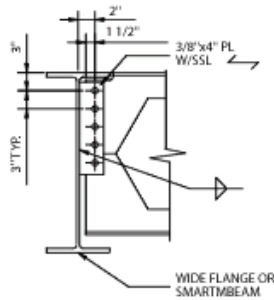
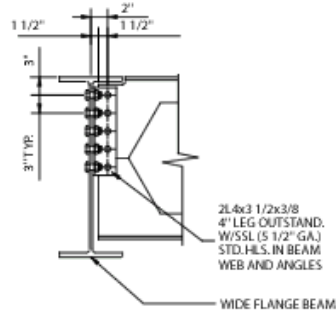


TYPICAL CAD DETAILS

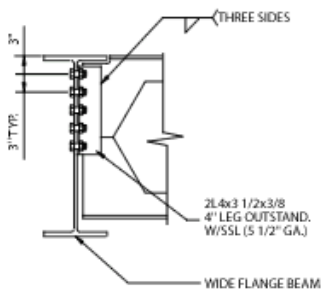
You may download the following drawings in AutoCad .dwg format by visiting www.cmcsteelproducts.com



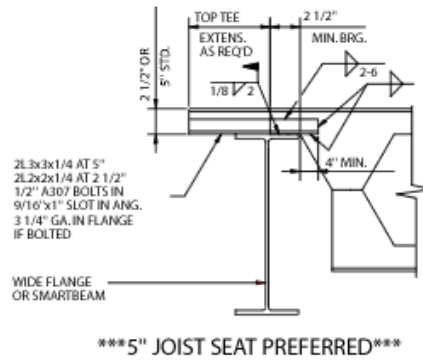
**BEAM-TO-BEAM
SHEAR TAB CONX.**



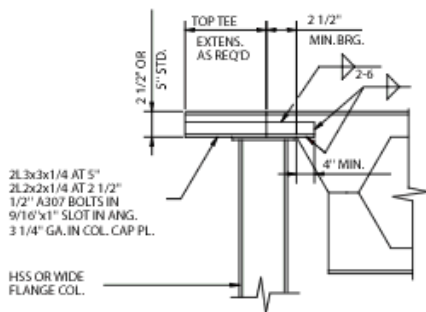
**BEAM-TO-BEAM BOLTED-
BOLTED CLIP ANG. CONX.**



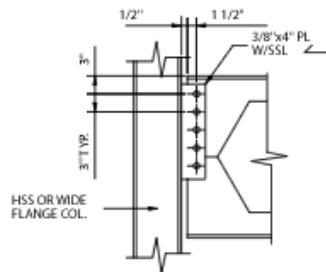
**BEAM-TO-BEAM BOLTED-
WELDED CLIP ANG. CONX.**



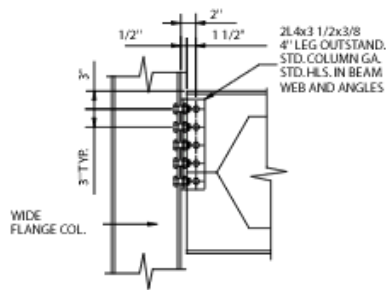
**BEAM-TO-BEAM
SEATED CONX.**



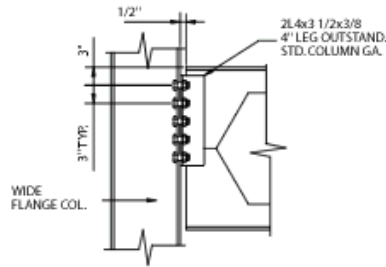
**BEAM-TO-COLUMN
SEATED CONX.**



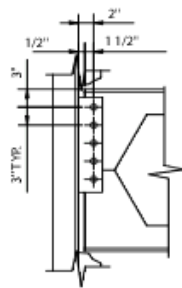
**BEAM-TO-COLUMN
SHEAR TAB CONX.**



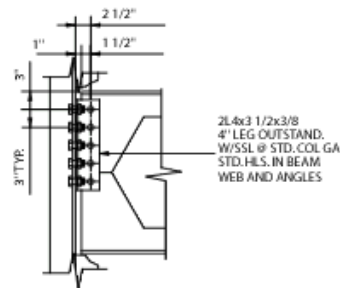
BEAM-TO-COLUMN BOLTED-
BOLTED CLIP ANG. CONX.



BEAM-TO-COLUMN BOLTED-
WELDED CLIP ANG. CONX.

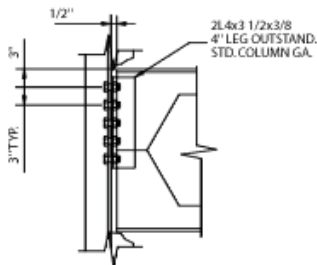


BEAM-TO-COLUMN WEB
SHEAR TAB CONX.

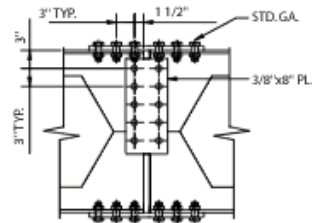


*** AT W10's AND LARGER***

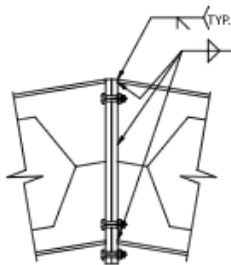
BEAM-TO-COLUMN WEB BOLTED-
BOLTED CLIP ANGLE CONX.



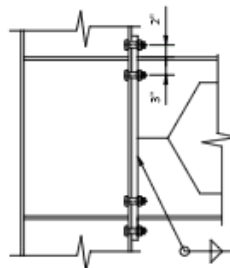
BEAM-TO-COLUMN WEB BOLTED-
WELDED CLIP ANGLE CONX.



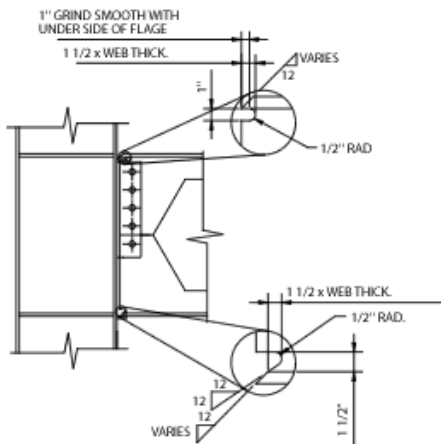
BEAM-TO-BEAM FLANGE
PLATE MOMENT CONX.



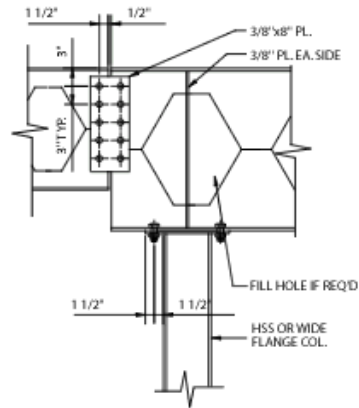
BEAM-TO-BEAM WELDED
END PLATE MOMENT CONX.



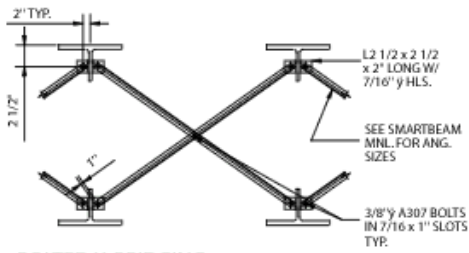
BEAM-TO-COLUMN BOLTED-
END PLATE MOMENT CONX.



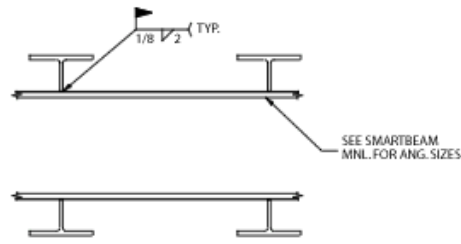
BEAM-TO-COLUMN FIELD WELDED MOMENT CONX.



BEAM-TO-BEAM SHEAR SPLICE CONX.



BOLTED X-BRIDGING REQ'D ONLY W/JST. SEATS



FIELD WELDED HORIZONTAL BRIDGING (FOR UPLIFT/CONSTRUCTION LOADS)